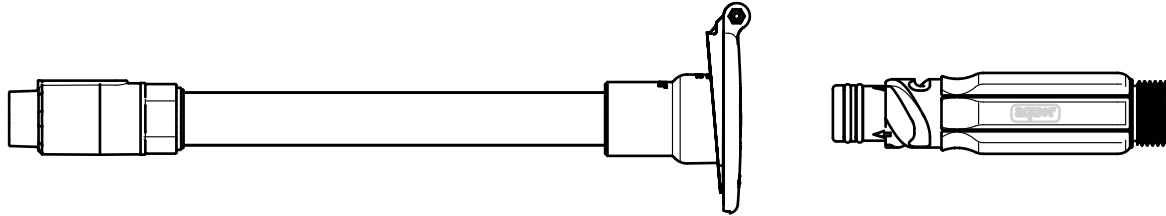


House Hydrant V1

SPECIFICATION SHEET



HOUSE HYDRANT V1 - IN-WALL OUTDOOR FAUCET SYSTEM

Flush-mounted wall hydrant with twist-lock connection system.

- Allows user to access water instantly by connecting under full water pressure.
- Hydrant self-drains upon disconnection to provide freeze protection.
- Robust O-ring connection system ensures a reliable leak-proof seal, even at high water pressures.
- Standard 1/2" NPT inlet and two-piece hydrant design allow for easy installation and accessibility to all internal parts for maintenance.

Inlet size:

1/2" NPT

Supply line compatibility:

All plumbing types (recommended: PEX)

Exterior siding compatibility:

All siding types (for uneven surfaces, use a mounting block)

Recommended water pressure/temperature:

25-125 psi, 0-140° F

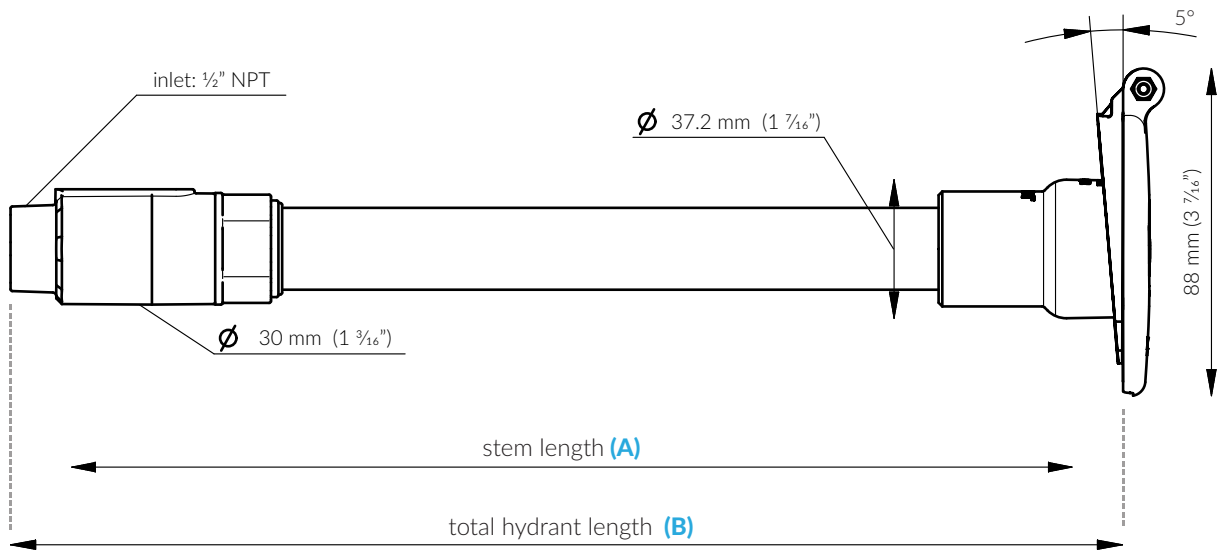
Materials:

Hydrant: 316L Stainless Steel body & internals

Connector: DuPont Delrin® polymer

Cover: ASA copolymer

O-rings: DuPont Viton®



Interior wall clearance required:

Stem	4"	6"	8"	10"	12"
Total	149mm (5 7/8")	199mm (7 7/8")	249mm (9 7/8")	299mm (11 3/4")	349mm (13 3/4")
	HH04	HH06	HH08	HH10	HH12

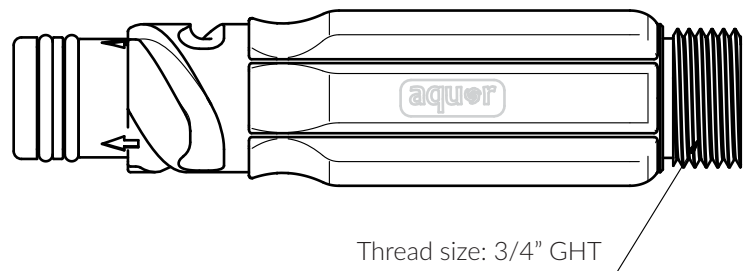
Determine the correct House Hydrant length by using the chart above. We follow industry standard of describing sizing by stem length. Note the total end-to-end length is longer.

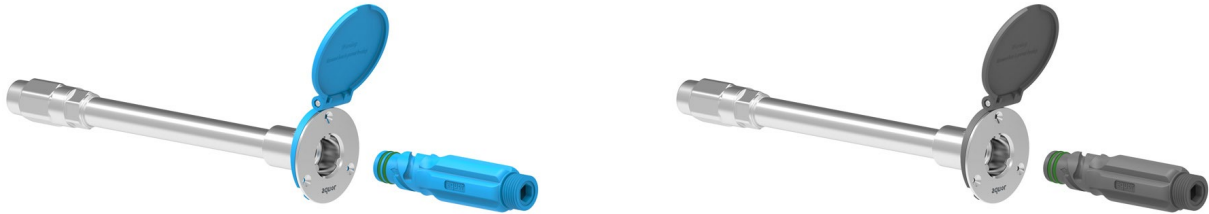
If you need a hydrant longer or shorter than the ones listed above, please contact us.

The Aquor hose connector, included with every hydrant kit, is designed to be used with any garden hose.

Attach any splitter, inline vacuum breaker, or other accessory directly to the connector.

If you need water access without a hose, use an Aquor Removable Faucet instead.

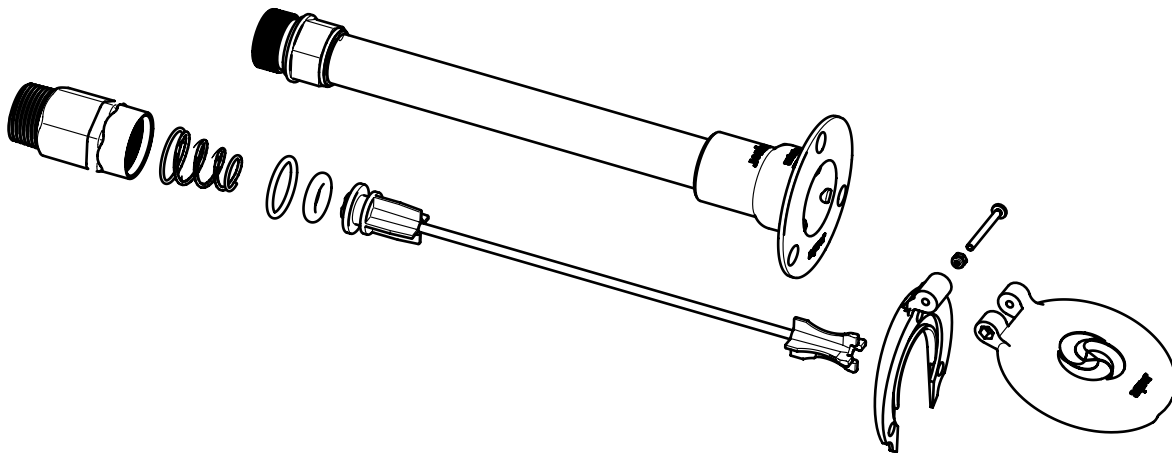




Configurations Available:

LIST PRICE

●	HH04-B	4" House Hydrant V1 - Aquor Blue	\$59.99
●	HH06-B	6" House Hydrant V1 - Aquor Blue	\$59.99
●	HH08-B	8" House Hydrant V1 - Aquor Blue	\$59.99
●	HH10-B	10" House Hydrant V1 - Aquor Blue	\$59.99
●	HH12-B	12" House Hydrant V1 - Aquor Blue	\$59.99
●	HH04-G	4" House Hydrant V1 - Slate Gray	\$59.99
●	HH06-G	6" House Hydrant V1 - Slate Gray	\$59.99
●	HH08-G	8" House Hydrant V1 - Slate Gray	\$59.99
●	HH10-G	10" House Hydrant V1 - Slate Gray	\$59.99
●	HH12-G	12" House Hydrant V1 - Slate Gray	\$59.99



A simple valve design ensures maximum reliability. There is only one moving part, the stainless steel inner rod that operates the rear closure. A spring holds the valve shut in the event of loss of pressure.

Unscrew the rear valve housing to access the two O-rings. The rear valve housing can unscrew a full rotation from the hydrant body while remaining watertight. This allows alignment of the faceplate.

The debris cover features a 5° wedge to position the hydrant at a slight downward angle for drainage.

Exterior wall entry hole:

38mm (1.5")

