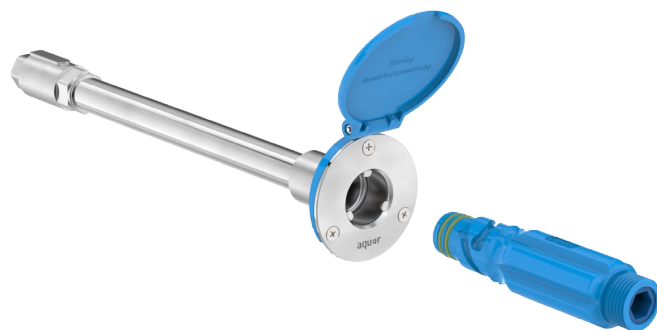


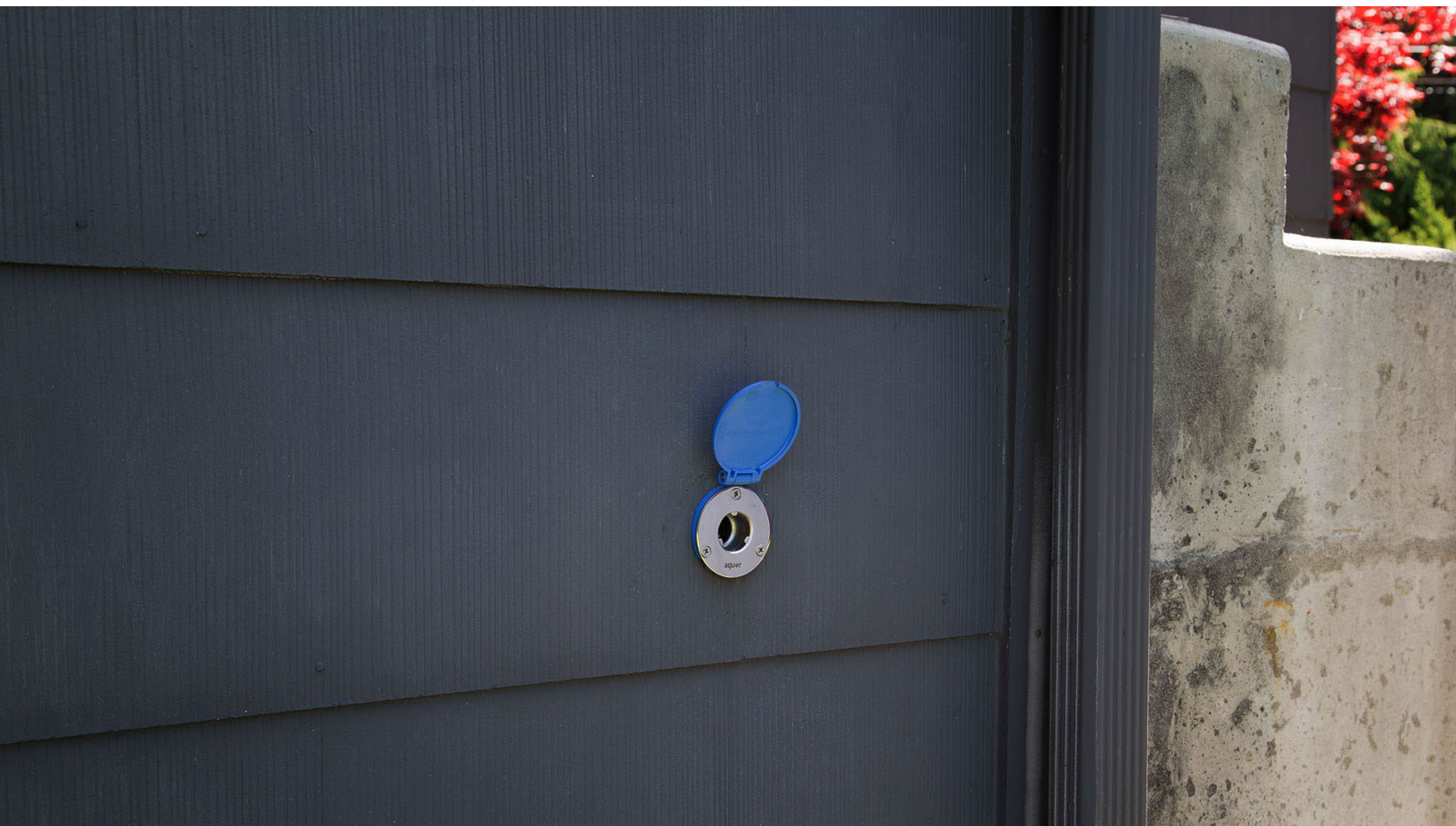
House Hydrant V1

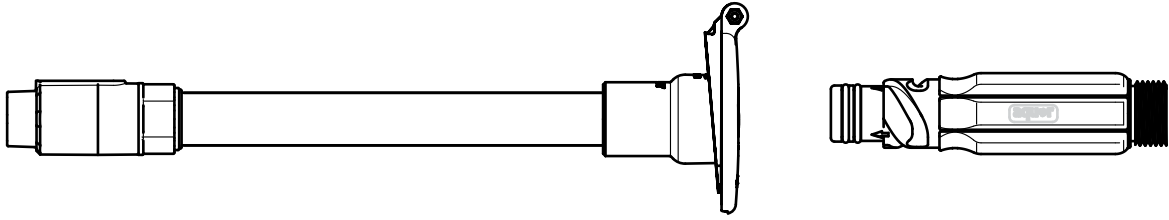
FROST-FREE OUTDOOR WALL HYDRANT

FLUSH-MOUNT | NON-FREEZE | SELF-DRAINING



aquor
water systems





HOUSE HYDRANT V1 - IN-WALL OUTDOOR FAUCET SYSTEM

Flush-mounted wall hydrant with twist-lock connection system.

- Allows user to access water instantly by connecting under full water pressure.
- Robust O-ring connection system ensures a reliable leak-proof seal, even at high water pressures.
- Stainless steel operating rod provides zero-maintenance reliability for years.
- Hydrant self-drains upon disconnection to provide freeze protection.
- Hydrant comes standard with 1/2" female NPT inlet. 90° elbow and other inlets available.
- Each hydrant kit includes polymer hose connector with 3/4" GHT threading.
- Any 3/4" accessory (eg. water timers, splitters, vacuum breakers) can be attached to end of hose connector.
- Hose connector contains integral check valve for backflow protection.



Aquor hydrants are made with 100% lead-free 316L stainless steel and non-toxic polymers. No brass components are used. Complies with California, Vermont, and Federal Lead Reduction Law (Senate Bill S.3874)

Color options:

Aquor Blue, Slate Gray

Stem lengths:

4-12" (custom lengths available)

Inlet size:

1/2" female NPT (other options available)

Supply line compatibility:

All plumbing types (recommended: PEX)

Exterior siding compatibility:

All siding types (for uneven surfaces, use a mounting block)

Recommended water pressure/temperature:

25-125 psi, 0-140° F

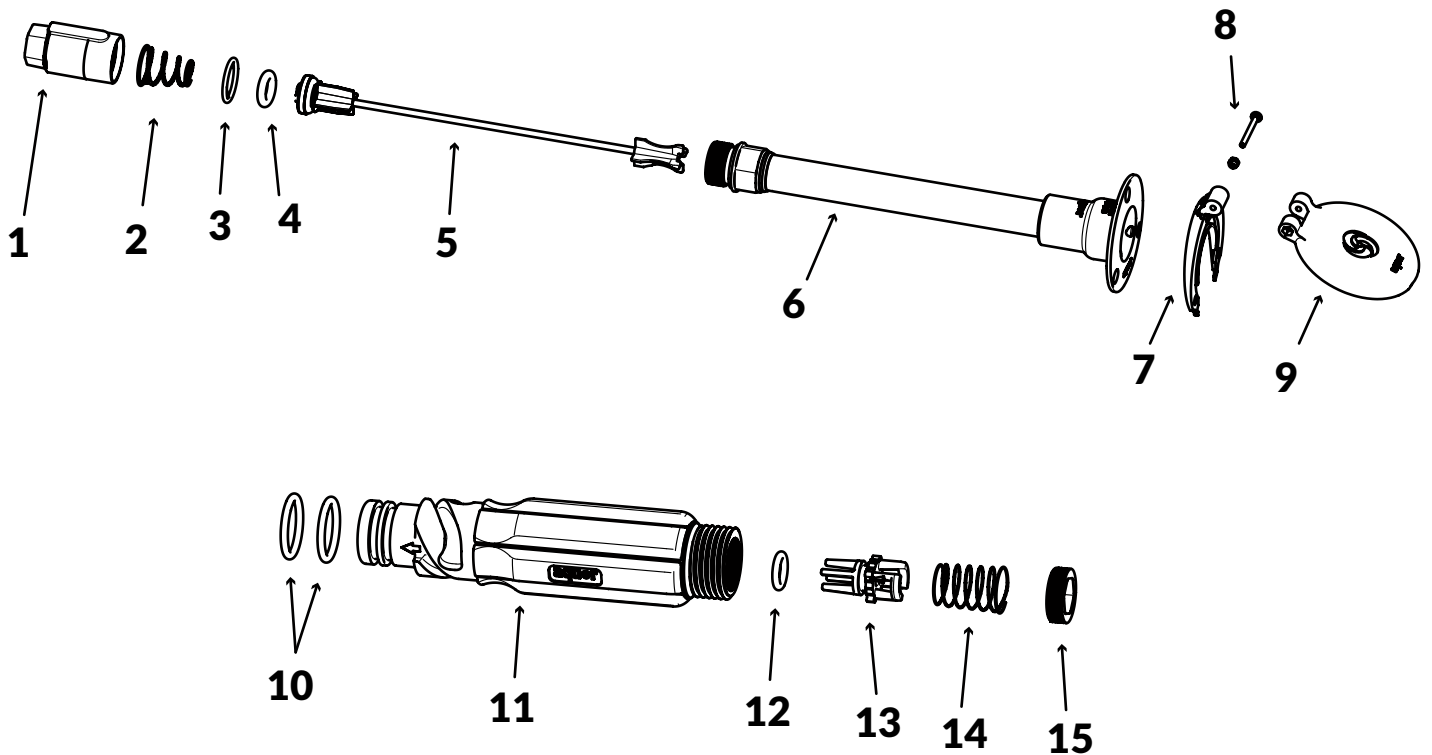
Backflow protection:

Check-valve in hose connector (anti-siphon can be added)

Waranty:

10-Year Aquor Manufacturer's Warranty

HOUSE HYDRANT V1 Parts Assembly and Parts List

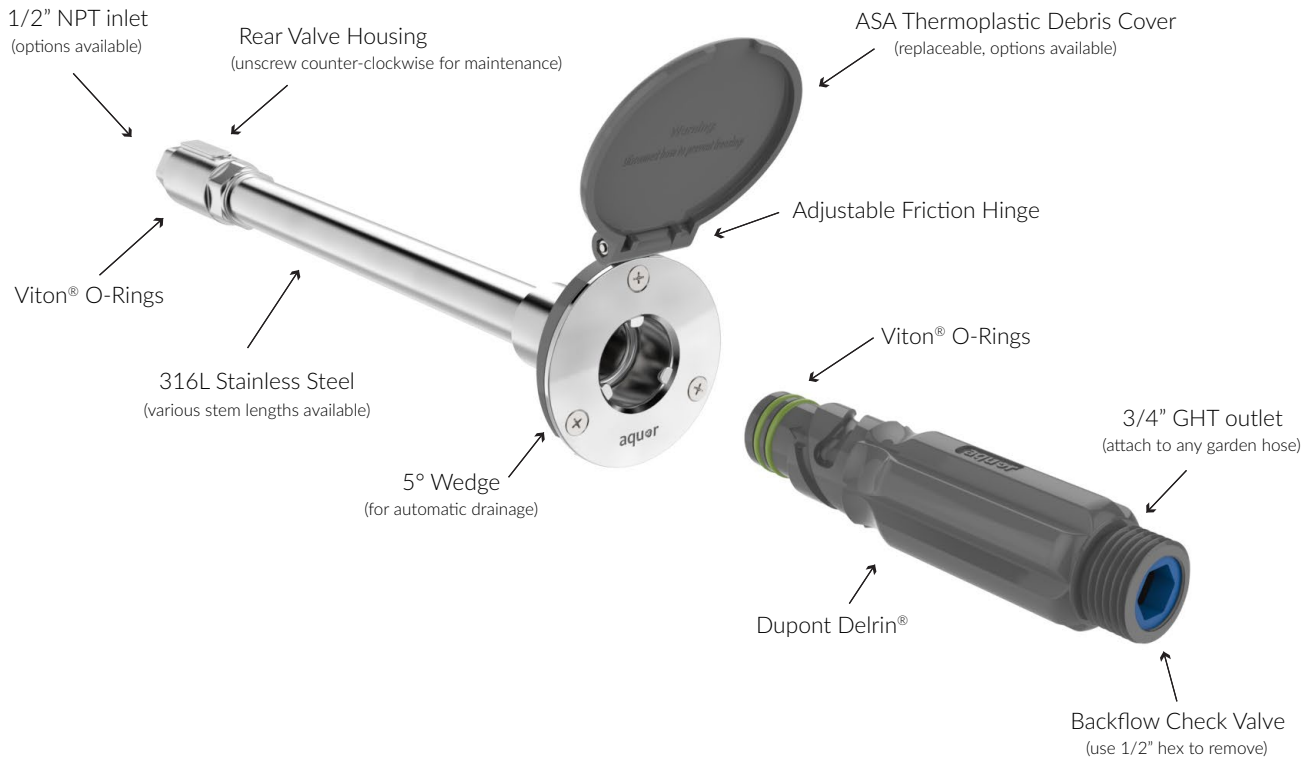


PART NUMBER	DESCRIPTION
1. 708501	Rear Valve Housing
2. 708502	Valve Spring
3. 708503-118	Hydrant Body O-Ring
4. 708503-320	Inner Valve O-Ring
5. ▲ 708504	Operating Rod
6. 708505	Hydrant Body
7. 708507	Wedge Backplate
8. 708508	Debris Cover Nut & Bolt
9. ■ 708509	Debris Cover
10. 738501-116	Connector O-Rings
11. ■ 738502	Connector Body
12. 738503	Check Valve O-Ring
13. 738504	Check Valve
14. 738505	Check Valve Spring
15. 738506	Check Valve Retainer

- ▲ Specify Size
- Specify Color
- Sold as assembly

HOUSE HYDRANT V1 Overview and Component Descriptions

SHOWN: 12" HOUSE HYDRANT V1 in SLATE GRAY



A simple valve design ensures maximum reliability. There is only one moving part, the stainless steel inner rod that operates the rear closure. A spring holds the valve shut in the event of loss of pressure.

Unscrew the rear valve housing to access the two internal Viton® O-rings. The stainless steel operating rod and high-lifetime O-ring provide years of maintenance-free use. All of the wear and tear of daily use is moved to the highly durable Delrin® hose connector. The abrasion-resistant polymer withstands thousands of cycles while preventing damage to the brass threads on your garden hoses.

The rear valve housing can unscrew a full rotation from the hydrant body while remaining watertight. This allows alignment of the faceplate during installation. It also allows for different inlet configurations, such as 90° elbows.

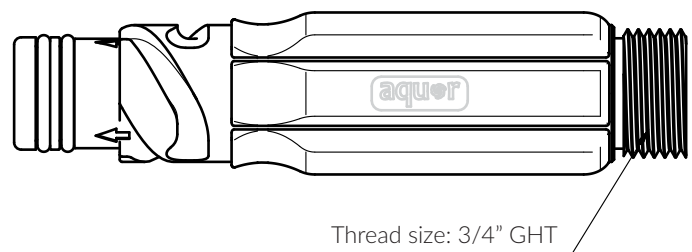
The debris cover features a 5° wedge to position the hydrant at a slight downward angle for drainage.

We recommend installing with a PEX expansion loop inside the wall, to allow simple future maintenance from the exterior of the building.

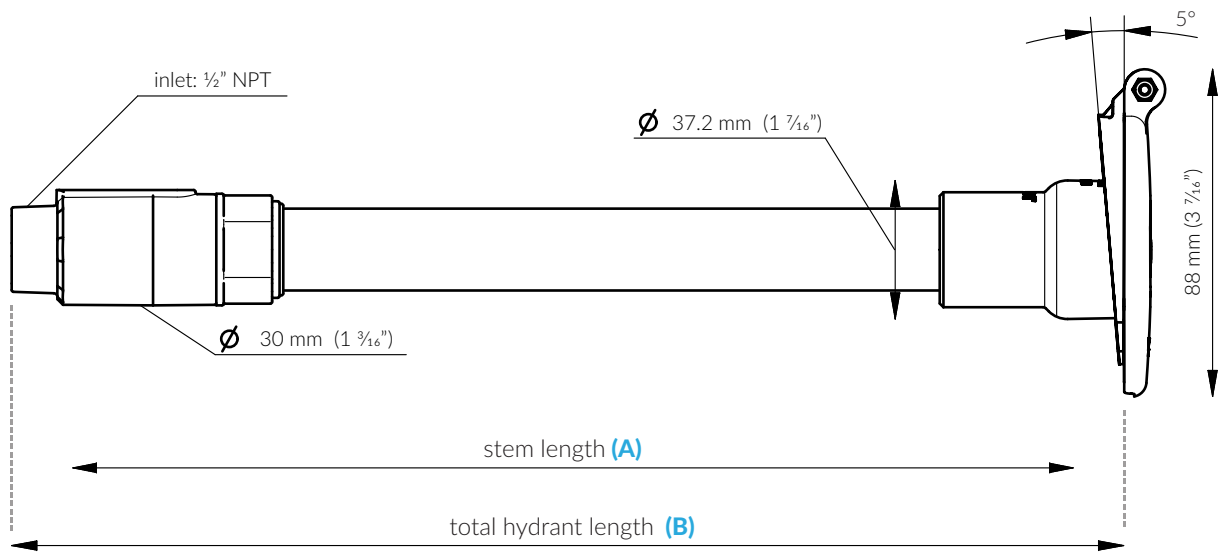
The Aquor hose connector, included with every hydrant kit, is designed to be used with any garden hose.

Attach any splitter, inline vacuum breaker, or other accessory directly to the connector.

If you need water access without a hose, or want to regulate flow pressure, use an Aquor Removable Faucet (CN-F) with your hydrant.



HOUSE HYDRANT V1 Dimensions and Sizing



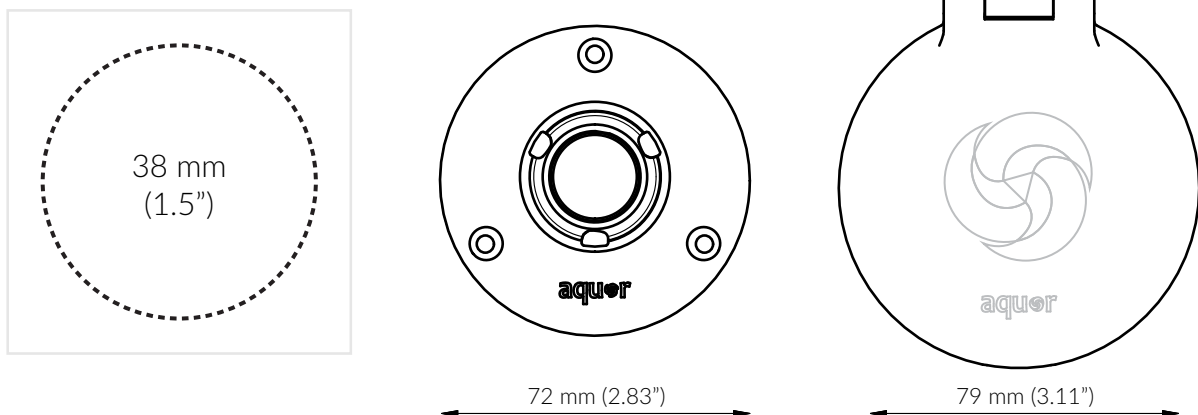
Interior wall clearance required:

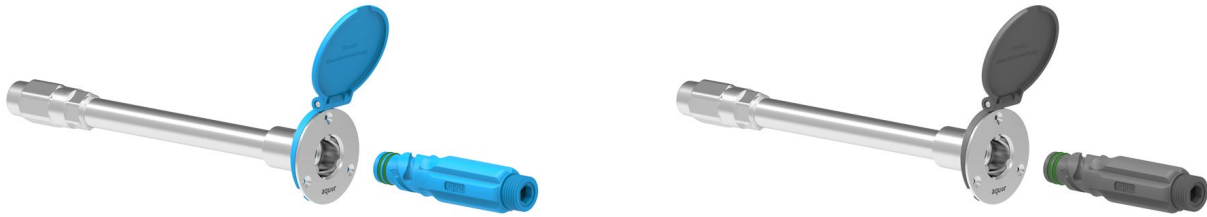
Stem	4"	6"	8"	10"	12"
Total	149mm (5 7/8")	199mm (7 7/8")	249mm (9 7/8")	299mm (11 3/4")	349mm (13 3/4")
	HH004	HH006	HH008	HH010	HH012

Determine the correct House Hydrant length by using the chart above. Provide the desired stem size when ordering. Note the total end-to-end length and wall clearance needed is longer than the stem size.

If you need a hydrant longer or shorter than the ones listed above, please contact us.

Exterior entry hole:





Hydrant Kits:

●	HH004-B	4" House Hydrant V1 - Aquor Blue
●	HH006-B	6" House Hydrant V1 - Aquor Blue
●	HH008-B	8" House Hydrant V1 - Aquor Blue
●	HH010-B	10" House Hydrant V1 - Aquor Blue
●	HH012-B	12" House Hydrant V1 - Aquor Blue
●	HH004-G	4" House Hydrant V1 - Slate Gray
●	HH006-G	6" House Hydrant V1 - Slate Gray
●	HH008-G	8" House Hydrant V1 - Slate Gray
●	HH010-G	10" House Hydrant V1 - Slate Gray
●	HH012-G	12" House Hydrant V1 - Slate Gray

Options:

○	INL-90	90° Elbow Inlet - 1/2" NPT
●	CN-F	Removable Faucet
●	CN-S1-B	Add'l Hose Connector - Aquor Blue
●	CN-S1-G	Add'l Hose Connector - Slate Gray