

Please read all instructions and warnings before installing.



**WARNING**

Failure to turn off water supply prior to installation can result in personal injury or damage to home. Professional installation recommended.

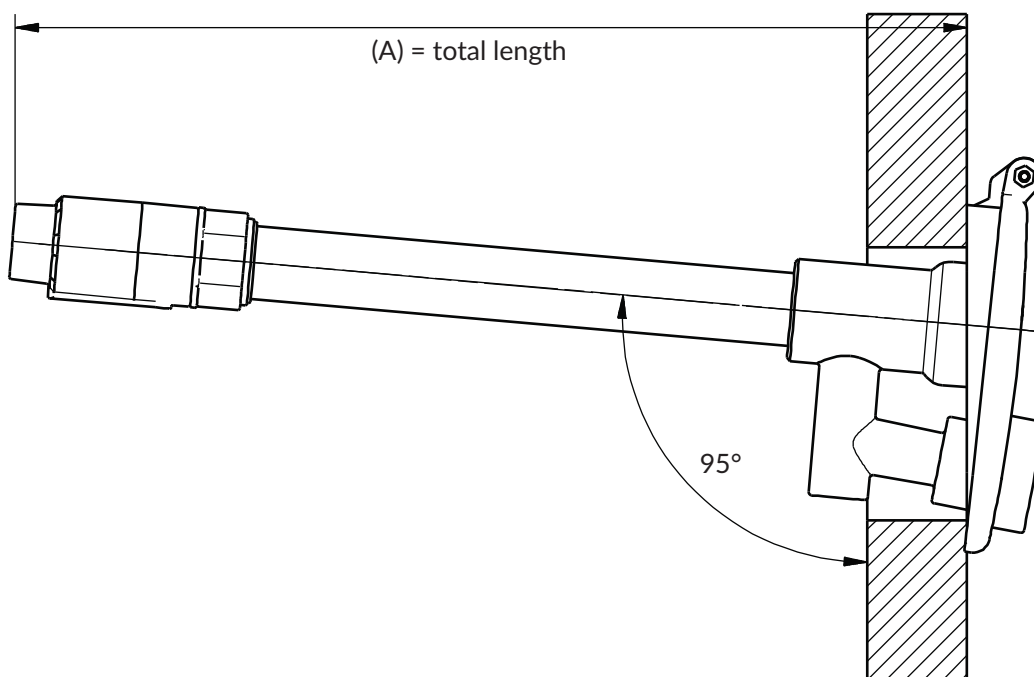
- The Aquor House Hydrant is for outdoor use only. Install in exterior walls of homes and buildings. A small amount of water self-drains from the outlet upon disconnection.
- The House Hydrant is for heated and insulated building walls only. The House Hydrant can only offer freeze protection if the ambient temperature around the rear valve is above freezing.
- Aquor Connector must be disconnected and House Hydrant allowed to self-drain in freezing temperatures.
- Close the debris cover when House Hydrant is not in use.
- Install the hydrant in accordance with all applicable plumbing codes and regulations.
- This device has been tested to meet or exceed ASSE 1019-A requirements.
- Do not subject to more than twelve (12) hours of continuous water pressure.
- Inlet/outlet size: ½" NPT inlet, ¾" GHT outlet.
- Recommended pressure/temperature: 25-125 psi, 0-140° F.



## Step 1: Turn Off Water Supply

Turn off the water to your existing faucet by using a shutoff valve found inside the house or basement behind the faucet, or by closing the main water supply. Open the faucet and a bleeder valve on the shutoff to drain any remaining water from the pipe. If your shutoff doesn't have a bleeder valve, the remaining water will drain out of the supply line when it is cut. With the shutoff valve and exterior faucet open, wait for the water to fully drain.

## Step 2: Measure Fitment



size	4"	6"	8"	10"	12"
(A)	5 <sup>3</sup> / <sub>4</sub> " (144mm)	7 <sup>5</sup> / <sub>8</sub> " (194mm)	9 <sup>9</sup> / <sub>16</sub> " (244mm)	11 <sup>5</sup> / <sub>8</sub> " (294mm)	13 <sup>1</sup> / <sub>2</sub> " (344mm)

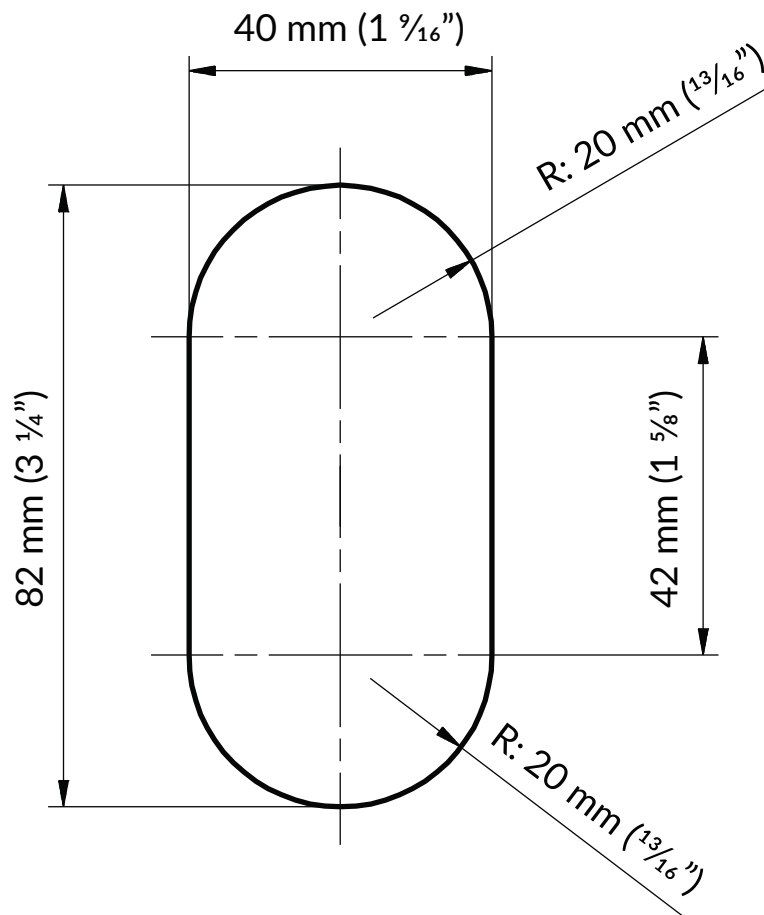
Measure the distance from the exterior of your home's wall to where the hydrant will connect to your piping. Measure your House Hydrant from faceplate to end (including the adapter you'll be using to connect to the supply line) and ensure that it will fit. The hydrant is installed at a 5° downward angle to ensure residual water self-drains when the Aquor connector is disconnected from the outlet.

### ⚠ TIP

If you plan on using a mounting block (see Step 3), make sure to take into account the added thickness when measuring your hydrant length.

## Step 3: Prepare Wall

Prepare your exterior wall for the House Hydrant. First cut and drill the entry hole to dimensions below:



### ⚠ NOTE

If you are installing the hydrant on a surface that isn't flat or smooth, such as stucco or lap siding, using a mounting block is highly recommended. A mounting block provides a level, 90° surface that allows the hydrant faceplate to sit flush against the wall. Mounting blocks can be easily custom-made or are commonly available for purchase at hardware stores. Remember that a mounting block will add depth to your wall, so keep this in mind when measuring your hydrant length for installation.

## Step 4: Test Fitment

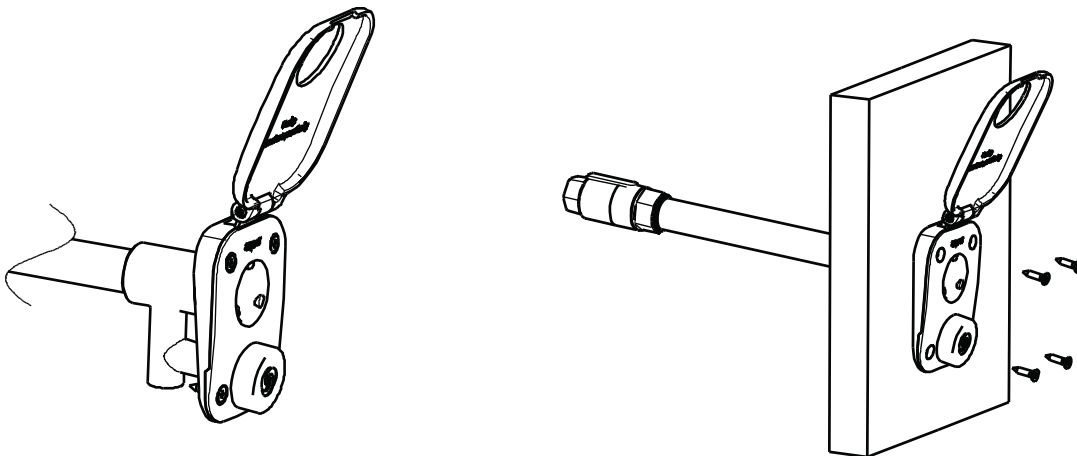
Test your new hydrant's fitment. Keeping the Aquor logo upright, ensure the hydrant will line up correctly with the water supply line. The included debris cover and wedge will keep the hydrant sloped downward at a 5 degree angle.

### CAUTION

Debris cover and wedge must be installed for proper drainage and freeze protection.

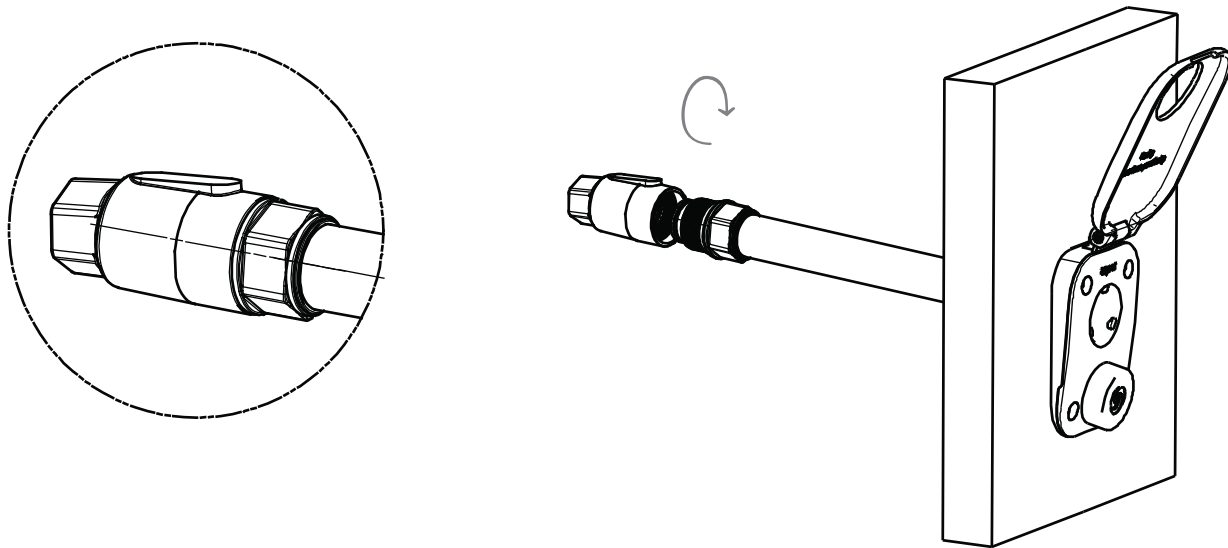
## Step 5: Drill Mounting Holes

Once your entry hole has been cut, insert the hydrant and wedge, and mark the location of the four holes for mounting screws. Make sure to have the wedge behind the hydrant faceplate for accurate markings. Once marked, remove the hydrant and drill the four holes. Masonry anchors are included with your House Hydrant if needed.



## Step 6: Unscrew Rear Valve Housing

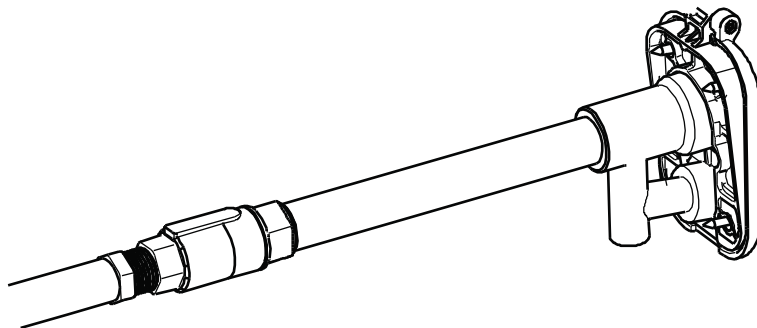
The rear valve housing unscrews from the House Hydrant body counter-clockwise. This is how you access the rear valve and o-rings to clean or service your hydrant, if needed. Unscrew the valve housing from the hydrant in order to more easily thread in your 1/2" NPT plumbing adapter. Note the placement of the inner rod and spring assembly.



## Step 7: Connect to Supply Line

You can use any male-threaded 1/2" NPT adapter to connect to your supply line. All types of plumbing adapters, including sweat-on, press-fit, or push-fit adapters, are compatible with the House Hydrant.

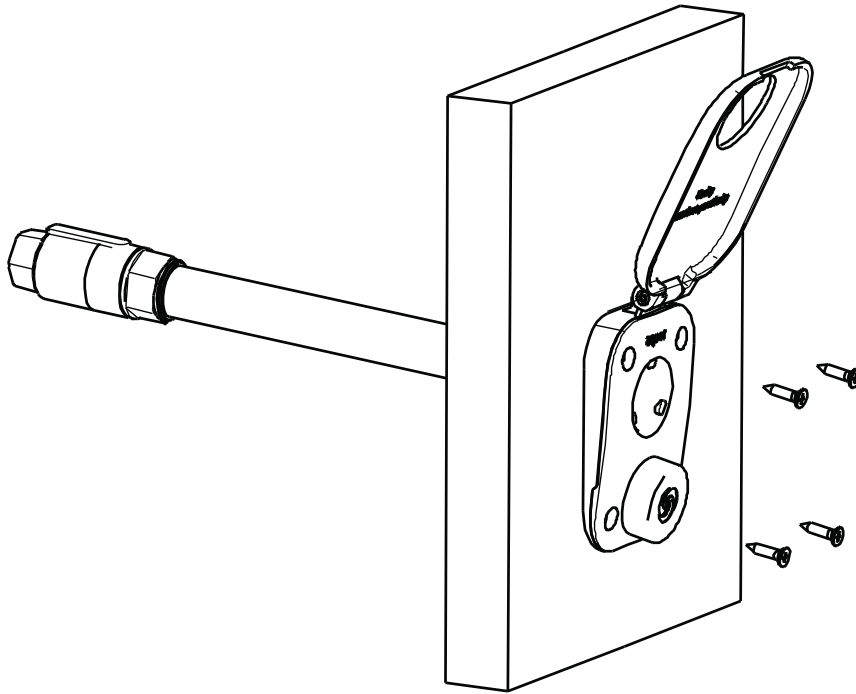
**Use teflon tape and firmly tighten your 1/2" NPT plumbing adapter into the rear valve housing.**



With your adapter attached, screw the rear valve housing back onto the rear of the hydrant, making sure the internal spring and rod are correctly in place. The rear valve housing is designed to be able to unscrew up to 180° from full lock while still maintaining a watertight seal.

## Step 8: Secure to Wall

Insert the debris cover with integrated wedge between the hydrant faceplate and exterior wall. The wedge and cover must be installed, and are required to drain water from the hydrant when disconnected. Ensuring the Aquor logo is on the bottom, use the included stainless steel screws to secure the hydrant to the home's exterior wall. Masonry anchors are included if needed.



## Step 9: Test and Check For Leaks

Test the cover operation to check that it opens and closes smoothly. Insert the Aquor connector and make sure the internal rod and valve open smoothly. Unplug connector before proceeding. With the system disconnected, turn your water supply back on and inspect for any leaks from the interior and exterior.

Attach the Aquor connector to any standard 3/4" garden hose. Make sure to use a garden hose with threads that are not bent or worn. Using a soft, flexible polyurethane or premium rubber garden hose is recommended for easiest operation. Teflon tape can be used to ensure watertightness.

Accessories such as pressure regulators, Y-splitters, and vacuum breakers can be attached between the Aquor connector and garden hose. Always use the Aquor connector with a garden hose attached. Inserting the connector without a garden hose attached may produce undesirable results.

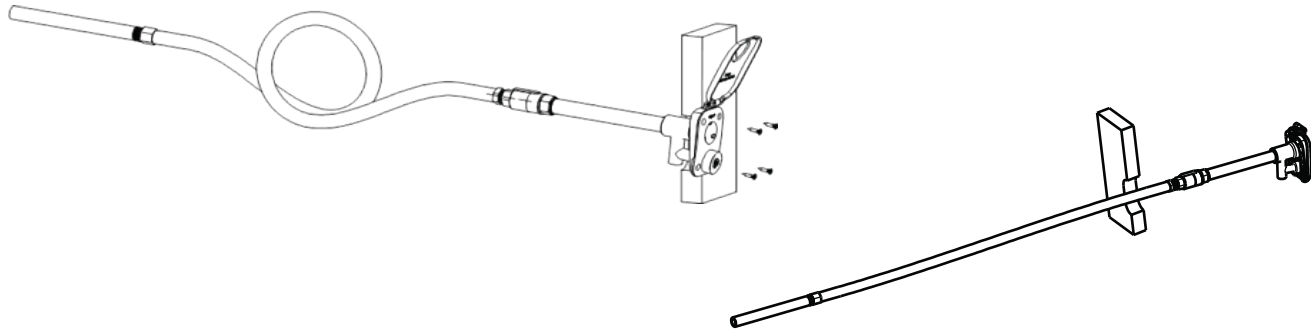
---

Installation Complete.

---

# Appendix A: Maintenance

The Aquor House Hydrant can be easily cleaned or serviced from the exterior of the home. If PEX tubing is used, add an extra loop of tubing inside the wall during installation. This way, the entire assembly can be pulled out of the wall from the exterior of the home.



With copper piping, the rear valve housing will stay inside the wall. Unscrew the body of the hydrant from the rear housing in a counterclockwise direction, taking care not to drop the internal spring or rod. The hydrant utilizes two internal o-rings that can be replaced if needed: one that closes the rear valve, and a second that seals the outer housing.

# Appendix B: Troubleshooting

**Problem:** Hydrant is not flush with exterior wall.

**Solution:** If you are attaching to a rough surface like stucco, use a mounting block. When drilling into hard surfaces such as stucco or brick, use the provided blue anchors.

**Problem:** Hydrant faceplate is not level / rotated.

**Solution:** The rear valve housing can be unscrewed 180° from full lock without losing its seal. Tighten the body into the rear housing fully, then unscrew counter-clockwise until the Aquor logo is on the bottom and the hydrant is level.

**Problem:** Hydrant is leaking from body when disconnected.

**Solution:** Check rear valve housing o-ring for damage. Ensure rear valve housing is tightened to hydrant body (within 180° of full lock). Ensure teflon tape was used to attach the hydrant to your adapter in step 6. Adapter should be firmly tightened to rear of hydrant.

**Problem:** Hydrant is leaking from outlet when disconnected.

**Solution:** Check for debris blocking the hydrant valve. Disassemble hydrant and inspect internal o-rings and rod for damage. Ensure rod and valve open and close smoothly without water.

**Problem:** No water flow when Aquor connector is inserted.

**Solution:** Unscrew connector from garden hose. Use a hex wrench to remove the check valve and spring from the rear of the connector, inspect for debris and test operation. Replace check valve if needed.