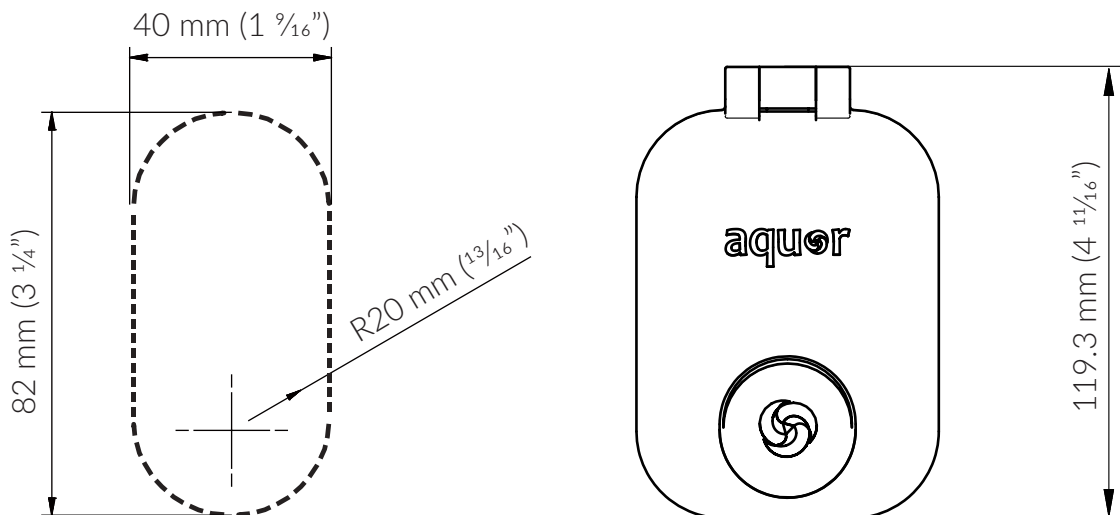
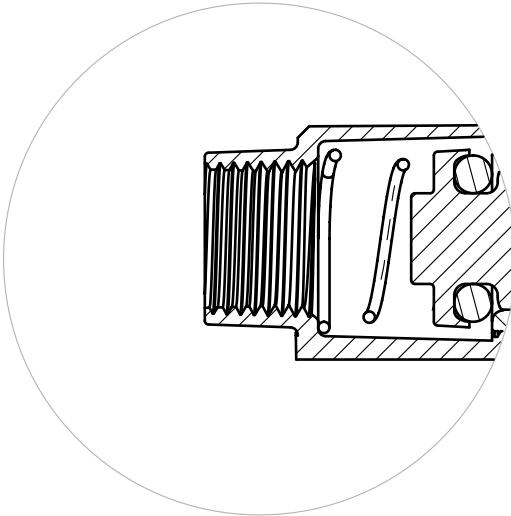


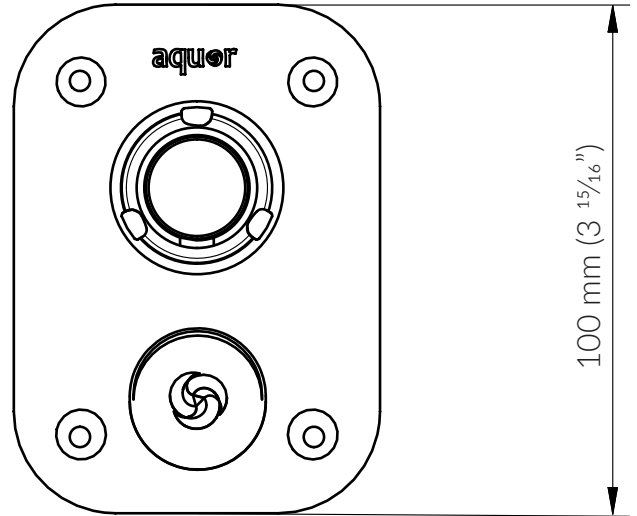
(A)	4"	6"	8"	10"	12"
(B)	5 3/4" (144mm)	7 5/8" (194mm)	9 1/16" (244mm)	11 5/8" (294mm)	13 1/2" (344mm)

Exterior wall hole size required:
40mm x 82mm





rear adapter



faceplate

Inlet / outlet size:

1/2" NPT (female), 3/4" GHT (male)

Supply line compatibility:

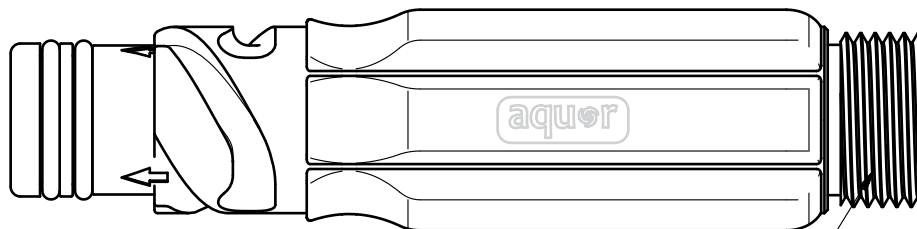
All plumbing types (recommended: PEX)

Exterior siding compatibility:

All siding types (for uneven surfaces, use a mounting block)

Recommended water pressure/temperature:

25-125 psi, 0-140° F



Thread size: 3/4" GHT