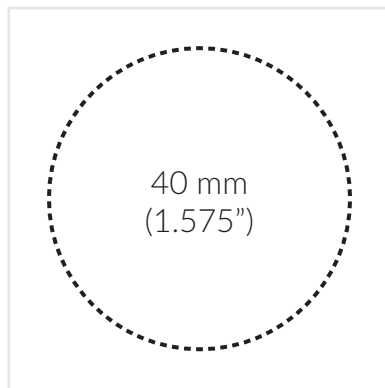
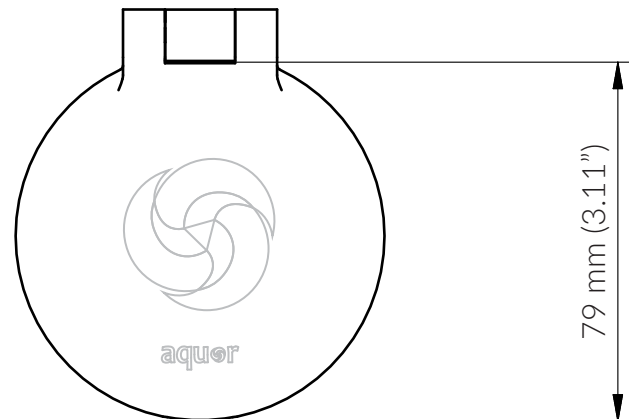


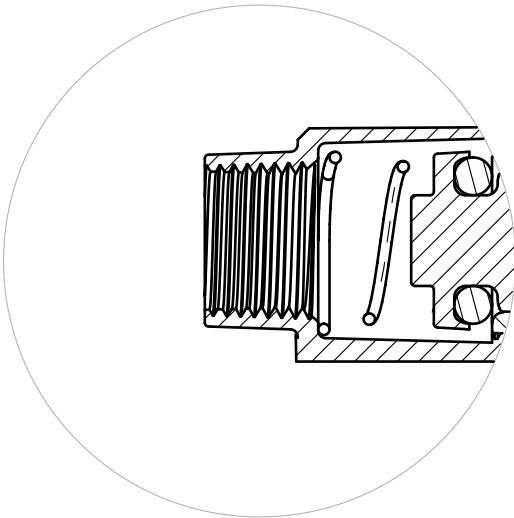
	4"	6"	8"	10"	12"
(A)					
(B)	5 7/8" (149mm)	7 7/8" (199mm)	9 7/8" (249mm)	11 3/4" (299mm)	13 3/4" (349mm)



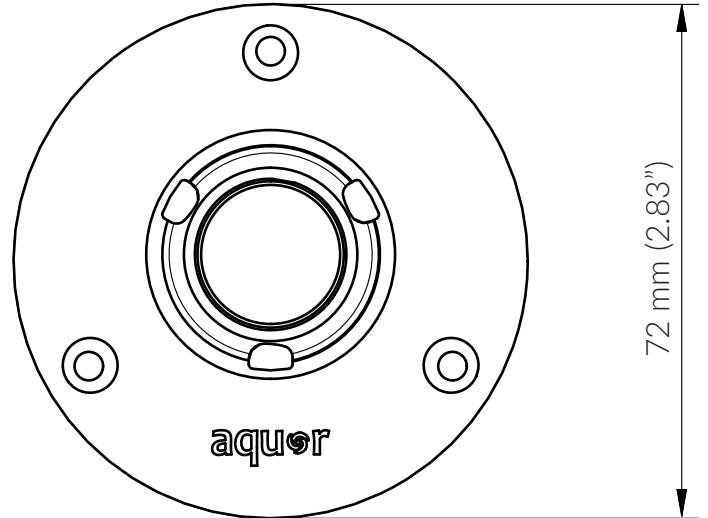
actual size



Exterior wall hole size required:
40mm (1.575")



rear adapter



faceplate

Supply line adapter threading:

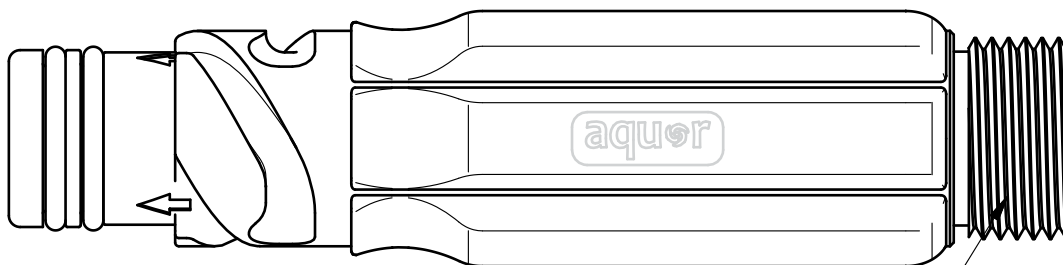
Female 1/2" NPT

Supply line compatibility:

All plumbing types (recommended: PEX)

Exterior siding compatibility:

All siding types (for uneven surfaces, use a mounting block)



Thread size: 3/4" GHT