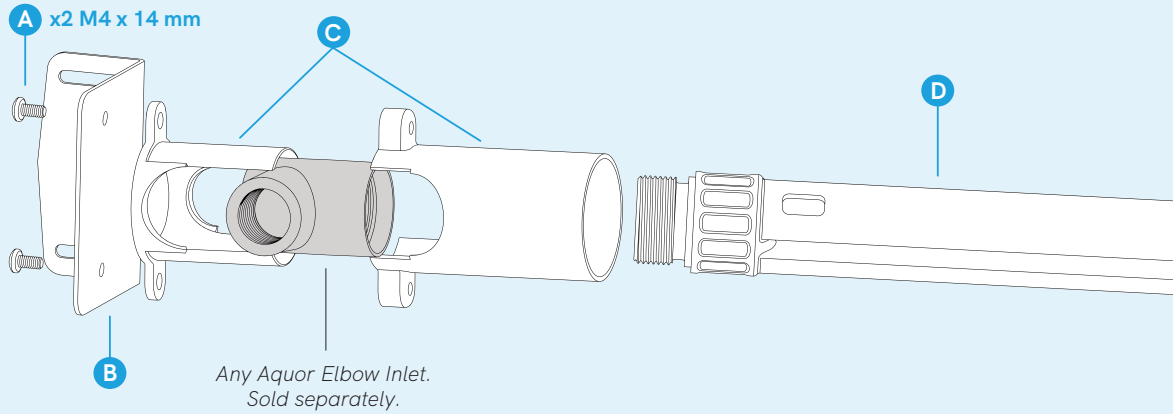
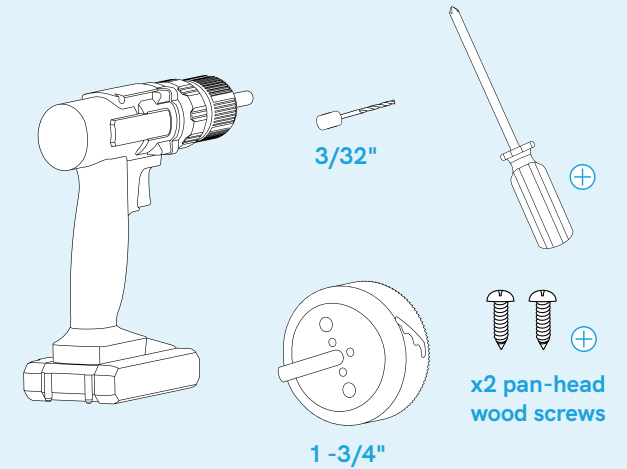


## INCLUDED

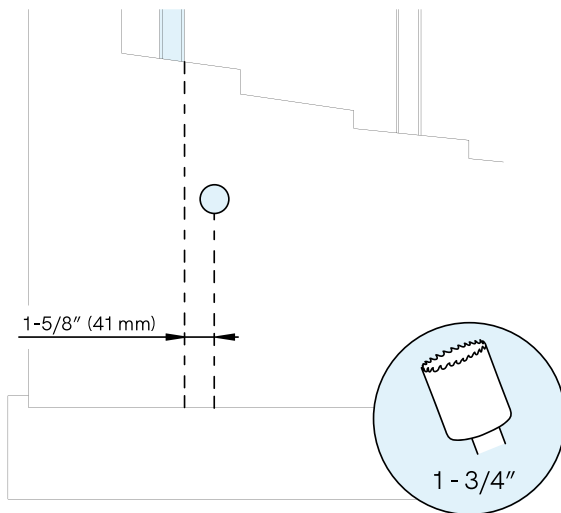
Assemble parts as shown.



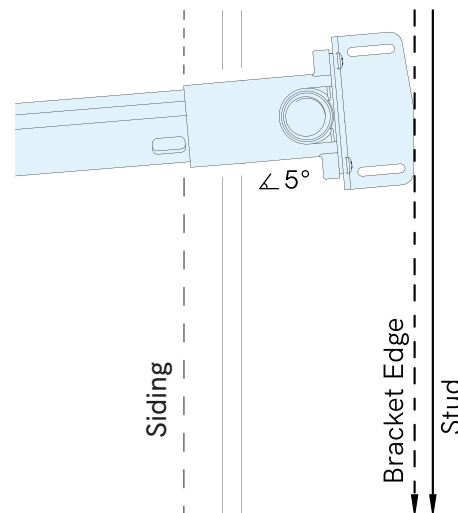
## HELPFUL TOOLS



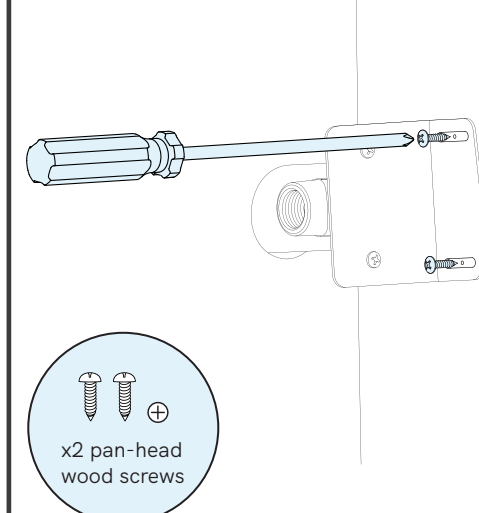
### 1 Drill install hole.



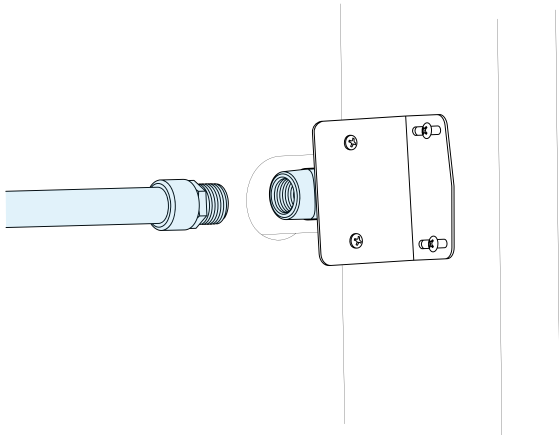
### 2 Downward slope for drainage.



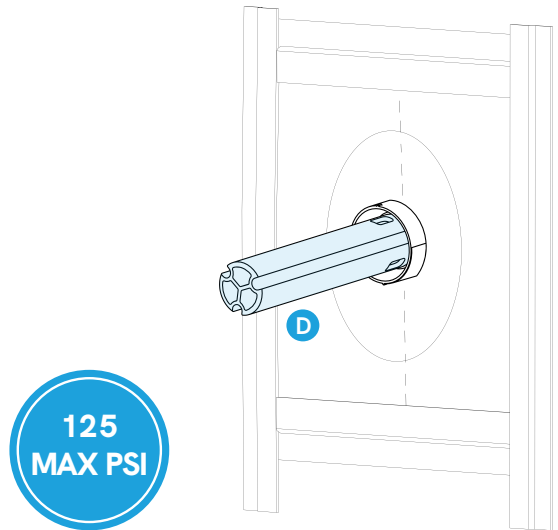
### 3 Lightly secure bracket to stud.



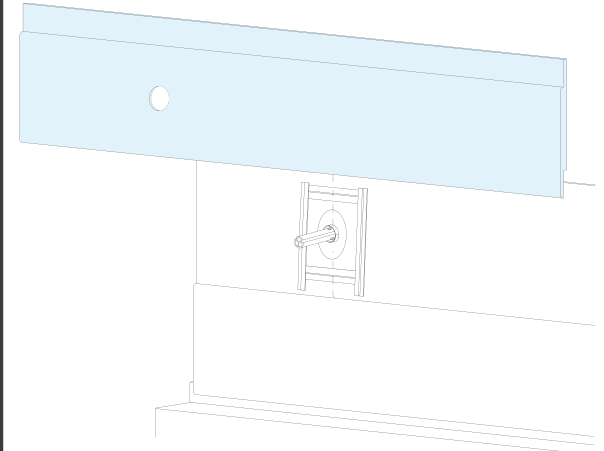
**4** Connect to plumbing.



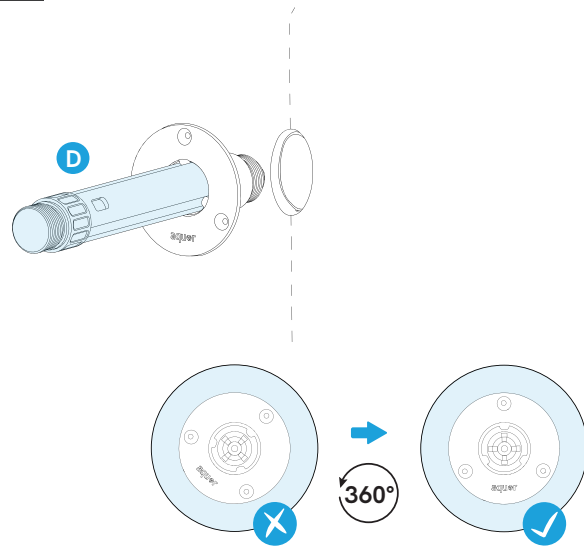
**5** Test pressure and add flashing.



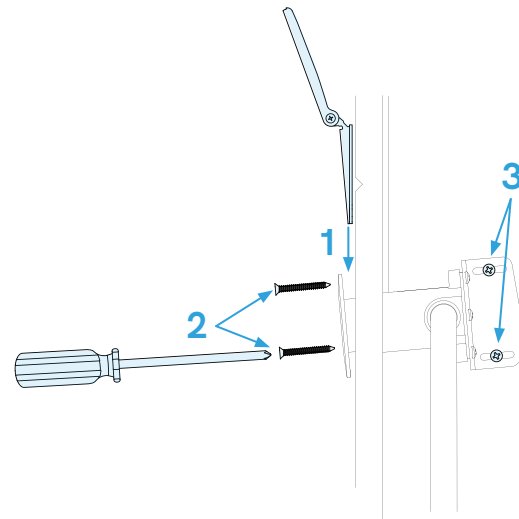
**6** Install finished siding or stucco. Remove test plug.



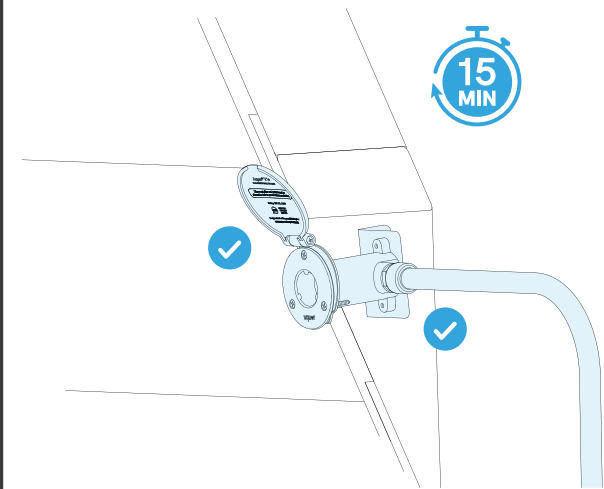
**7** Using the test plug, insert hydrant.



**8** Insert debris cover behind hydrant faceplate. Secure hydrant with screws.



**9** Check for leaks.



# Mounting Sleeve - V1+



SL1-200



SL1-400

For new construction. Provides an easy to use, weather-proofed installation solution. Includes test plug and hardware.

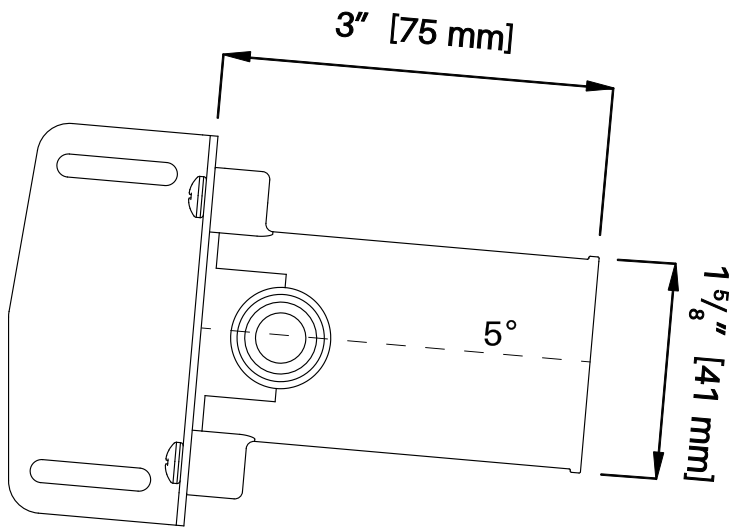
- Best for new construction
- Ideal for stucco and brick
- Provides a protective sleeve around the hydrant for easy installation and front servicability
- High-quality nylon sleeve with an EPDM insert and stainless steel bracket

<b>Compatibility</b>	House Hydrant V1+, Marine Deckwash, RV City Water Inlet, Universal Hydrant
<b>In the box</b>	Mounting Sleeve, Mounting Bracket, x2 M4 x 14 Sleeve Screws, Test Plug
<b>Install Required</b>	Yes
<b>Test Plug Max Pressure</b>	125 PSI
<b>Siding Rough-In Dimensions</b>	1.75" Diameter Hole
<b>Material</b>	Glass Filled Nylon, Stainless Steel, EPDM
<b>Warranty</b>	10 years

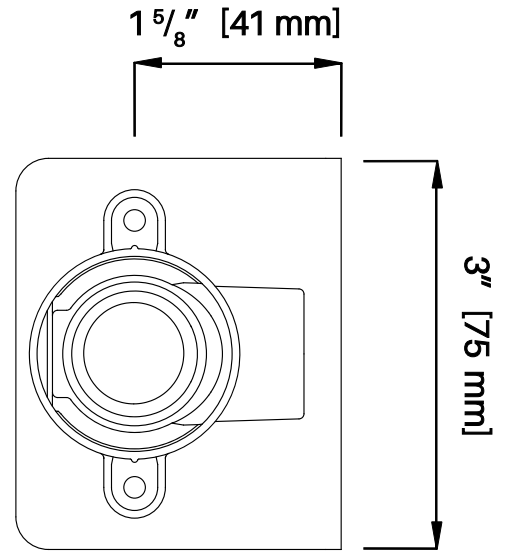
## Installation

Scan for install guide.

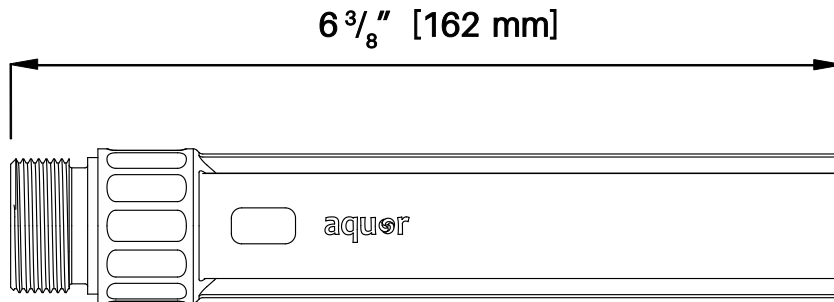




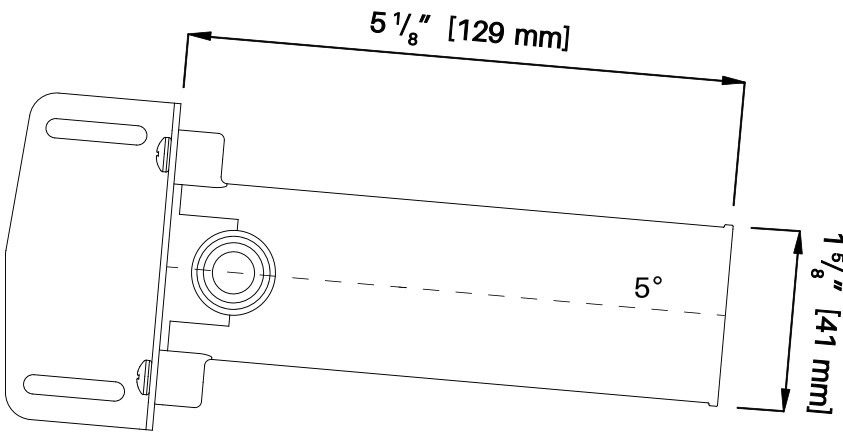
SL1-200



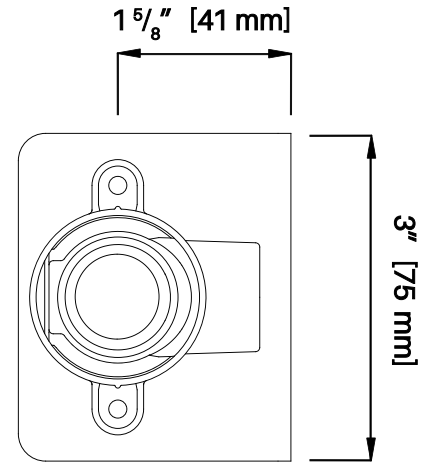
FRONT VIEW



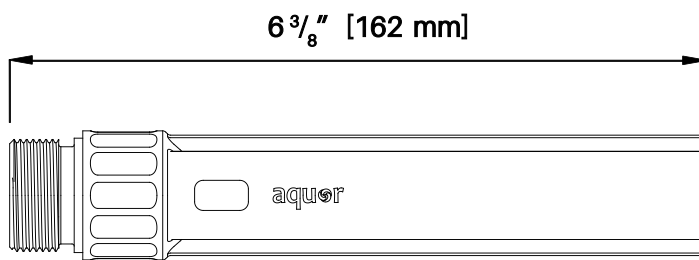
TEST PLUG



SL1-400



FRONT VIEW



TEST PLUG